



SILICON SOLAR

INNOVATIVE SOLAR SOLUTIONS™

EnviroLight **Solar Billboard Lighting Kits**

EXTREME PERFORMANCE

The Strongest Solar Billboard Lighting System Around

AMERICAN DESIGNED & MADE

The EnviroLight Is Designed & Built Here In The USA

HIGH COST-EFFECTIVENESS

Lowest Price & Highest Rate Of Return On The Market

GUARANTEED PERFORMANCE & ROI

Features An Industry-Leading 25-Year Warranty





Why Choose EnviroLight

In the past, Innovative Solar Solutions struggled to create solar billboard lighting systems that truly met the needs of our customers and performed as well as they (and we) had hoped.

Through over 16 years of trial and error, we have learned from mistakes, built on successes and developed a powerful, cost-effective and highly popular series of EnviroLight Solar Billboard Lights.

In the past, our pre-packaged systems simplified the process of purchasing a solar billboard light, but it was difficult to meet the needs of every customer. Today, we design, develop and build a customized EnviroLight system to every customer that invests in a solar billboard light from Innovative Solar Solutions.

Every EnviroLight Features:

- Best value of all solar billboard lighting options
- Industry-leading warranties on all EnviroLight systems
- Unmatched technical support & service
- Certified & UL/cUL Listed components & designs
- Eligible for state & federal solar rebates & incentives

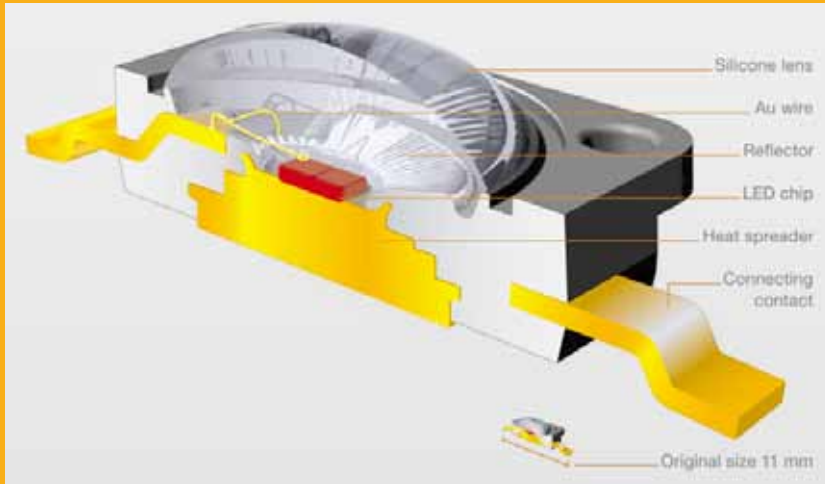
We Test Every Lighting Kit

Before delivery, every EnviroLight solar billboard lighting kit is setup by a certified electrician and tested for a week. This ensures that every EnviroLight shipped from our warehouse is guaranteed to work as designed at installation.

Warranties & Certifications



LED Manufacturing & Testing



LED Manufacturing & Testing

Our LED light fixtures feature:

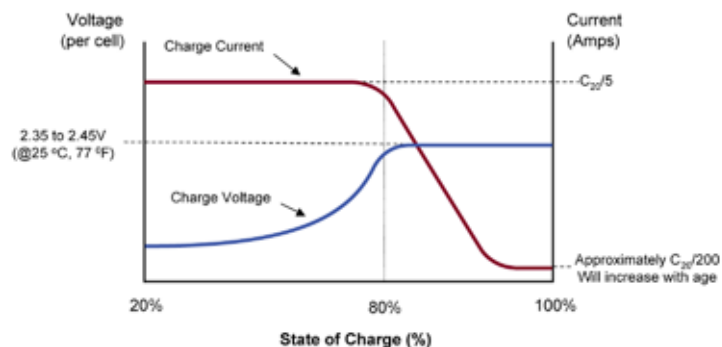
- 3150K color temperature to eliminate glare and provide the best lighting quality
- Integrated LED driver to maintain maximum efficiency reduce LED overloading that can cause damage and destruction
- Quality tested for performance in Upstate New York to guarantee durability in the harshest climates and weather



LED Manufacturing & Testing

All of our LEDs and LED light fixtures are manufactured and tested according to the exacting standards developed by Silicon Solar's engineers over more than a decade of experience building commercial solar lighting systems.

Recommended Trojan AGM Charging Profile



Note: Charging time will vary depending on battery size, charger output, and depth of discharge.

Battery Performance Testing

Before it leaves our facility, every EnviroLight System is assembled and tested for 7 days. This extended testing period:

- Includes full charge / discharge re-charge of the system for 1 week to verify battery effectiveness & operation times
- Ensures that all batteries are operating properly and charging/discharging as determined by the system engineers

What's Included In Every EnviroLight

Every EnviroLight solar billboard lighting kit includes all of the major components needed for installation.



Solar Panels

High-efficiency solar panels built in the USA are the workhorse of the EnviroLight system. Our engineers will determine exactly how many your EnviroLight requires



Battery Bank

The battery bank makes solar lighting possible. Every EnviroLight uses the very best battery technology from the top USA manufacturers to ensure maximum performance



Weatherproof Housing

The weatherproof housing safely stores the batteries, DC safety disconnects and all of the EnviroLight's control systems in any climate year-round

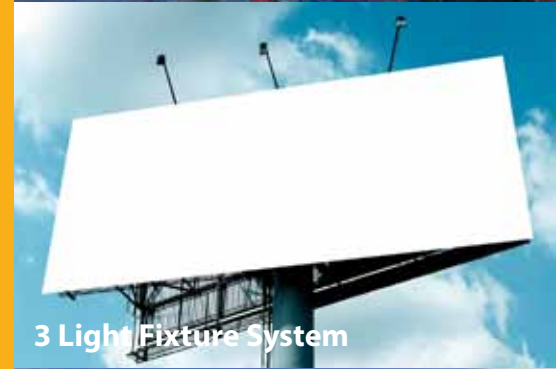


Panel Mounting Racks

Our side-of-pole solar panel mounting racks are made in the USA of steel and aluminum alloys. They are guaranteed to keep your solar panels safe and secure for the life of your system



3000 Lumen Fixture System

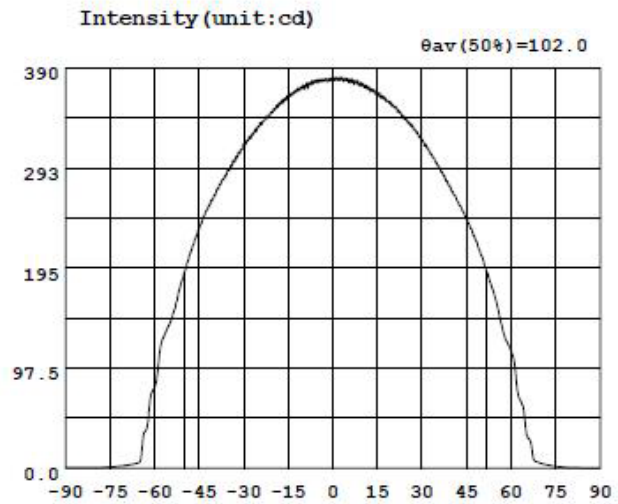
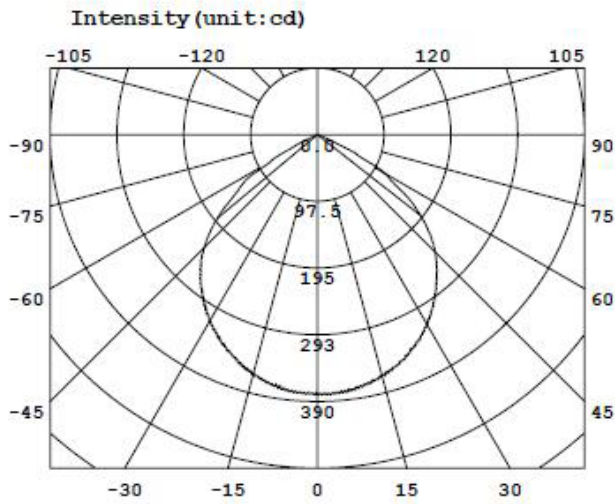


3 Light Fixture System



4 Light Fixture System

Photometrics

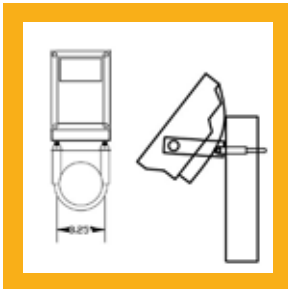


Mounting Options



Pole Mounting

There are multiple options you can use to mount your EnviroLight LED light fixtures to your poles safely and securely. We recommend standard mounting from leading industry suppliers.



Your sales representative can assist you in choosing the mounting option that is correct. **(please note - light fixture mounting hardware is not included.)**



Available Models



EM1000 EM1600 EM3000
1000 Lumens 1600 Lumens 3000 Lumens

Light Fixture Specifications

Color Temperature	3150K
Rated Voltage	12 VDC
IP Grade	IP65
Beam Angle	120°

Mounting Versatility

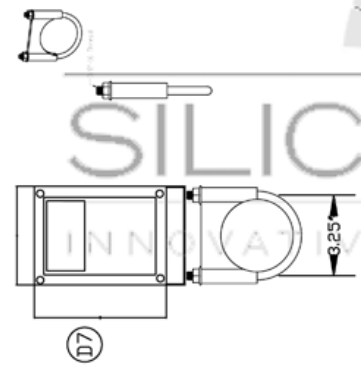
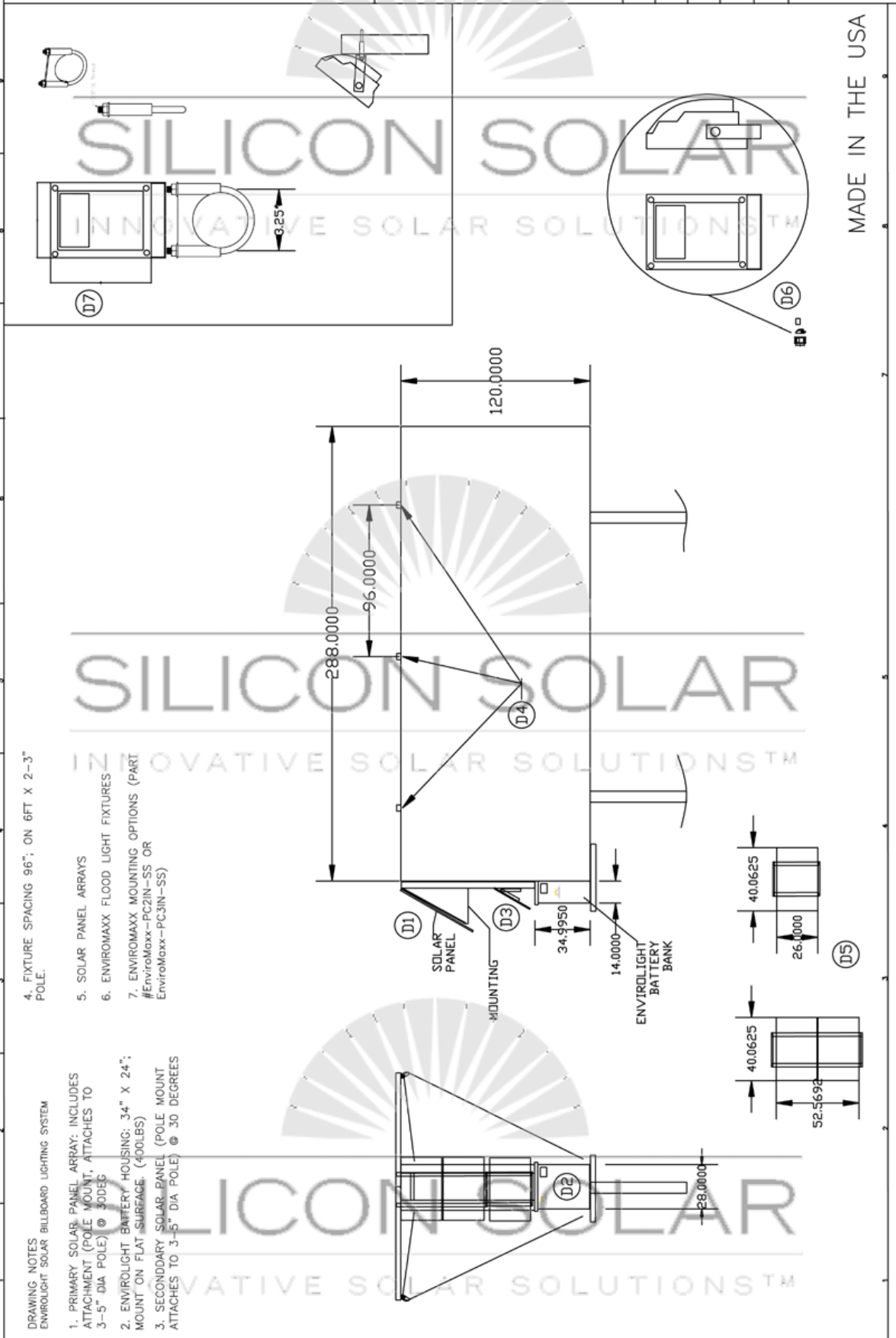
EnviroLight solar billboard light fixtures can be mounted from the top of your billboard pointing down or from the bottom of your billboard pointing up.

DRAWING NOTES
ENVIROLIGHT SOLAR BILLBOARD LIGHTING SYSTEM

1. PRIMARY SOLAR PANEL ARRAY: INCLUDES ATTACHMENT (POLE MOUNT, ATTACHES TO 3-5" DIA POLE) @ 30DEG
2. ENVIROLIGHT BATTERY HOUSING: 34" X 24"; MOUNT ON FLAT SURFACE. (400LBS)
3. SECONDARY SOLAR PANEL (POLE MOUNT ATTACHES TO 3-5" DIA POLE) @ 30 DEGREES

4. FIXTURE SPACING 96"; ON 6FT X 2-3" POLE.

5. SOLAR PANEL ARRAYS
6. ENVIROMAXX FLOOD LIGHT FIXTURES
7. ENVIROMAXX MOUNTING OPTIONS (PART #EnviroMaxx-PC2IN-SS OR EnviroMaxx-PC3IN-SS)



SILICON SOLAR
INNOVATIVE SOLAR SOLUTIONS™

SILICON SOLAR
INNOVATIVE SOLAR SOLUTIONS™
ENVIROLIGHT SERIES

Designed: SM
Drawn: SM
Checked: AF
Date: 1/23/2015
SCALE: NTS
ENVIROLIGHT SERIES
ISS-100

MADE IN THE USA