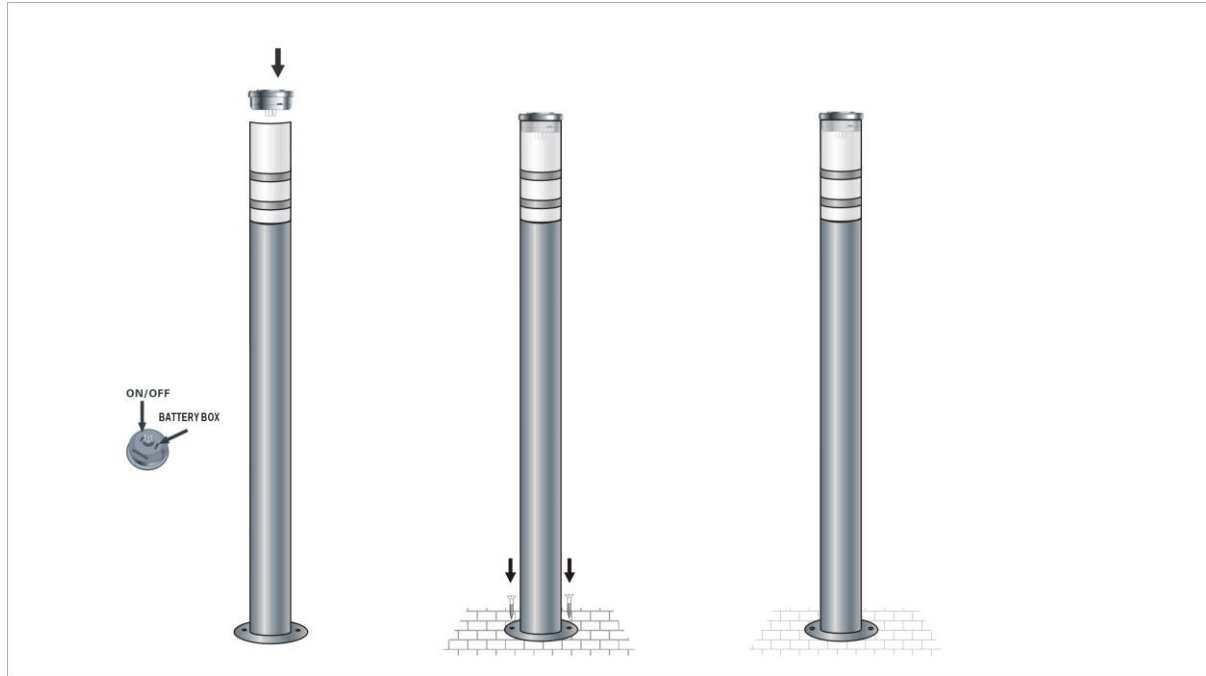




SOLAR LIGHT INSTRUCTION MANUAL

MODEL NO.: TM1218K100-3W



INSTALLATION INSTRUCTIONS

1. Put out the battery box and move power switch to the ON position;
2. Assemble the battery box, mounting pole together. Then assemble the pole into the ground;

FUNCTIONS & SPECIFICATION

1. Gracefully shaped stainless steel fixture will enhance your yard or garden.
2. Don't need to use any messy wires. Solar lights can charge during the day and illuminate automatically at night.
3. This solar light can provide up to 8-10 hours of light and even charge itself during cloudy or rainy days.
4. Turns on automatically at night and off at dawn.
5. No cost to use , since all the energy from the sun.
6. This product is perfect for garden, walkway, patio, entryway and driveway.

LIGHTENING TIME

The lightening time will be up to 8 hours after a sunny day, but differs on location, season and weather. also differs on the degree of sunshine and shining hours. It will last longer in summer , and shorter in winter as well as in raining or cloudy days.

In order to keep absorbing sunshine more available. Please clean the solar panel with neutral solvent and wet cloth from time to time.

PROBLEM SOLVING

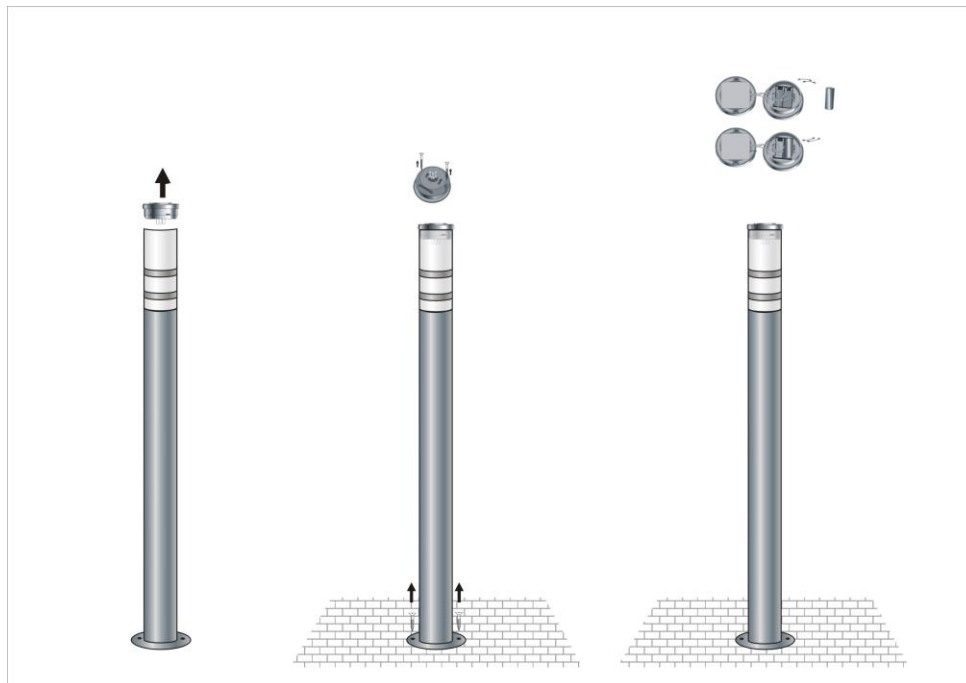
- If the transparent cover of solar panel becomes dirty, the rate of transparency will decrease and the rechargeable battery can not be fully charged. Please clean it with neutral solvent and wet cloth.
 1. Make sure that the product is not located in shade during the day. The light should be moved to a more sunny location.
 2. Check if the power switch is at “ON” position. It should always be switched to “ON” while using.
 3. Please move the switch back and forth between “ON” and “OFF” several times.

ATTENTION

1. Be sure to place the solar light in direct sunlight. but not in shade, because it will limit the amount of lightening time.
2. Be sure the power switch is always at “ON” position.
3. Be sure nothing covers on the top of the product.
4. This is not a children toy.

REPLACING THE BATTERY

- The batteries are standard 600mAh AA Ni-MH rechargeable battery. The lifetime is around one year in normal condition. The battery needs to be changed when it looks very dim within 4 hours in the darkness after full sunshine during the day.





IMPORTANT

- You solar garden light will need to be charged in full sunlight for 36-48 hours before first time use