

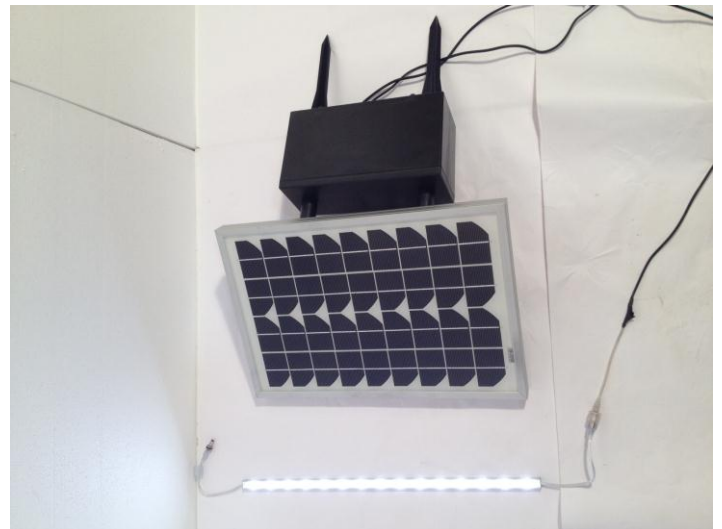


**SKU: GenLight-In-Outdoor-LEDStrip-150W**



The new and exclusive GenLight LED Strip Solar Lighting System with waterproof light fixture sealed in an aluminum universal housing with 15 High Powered SMD LEDs. With a strong power output at 150W equivalency or 675 Lumens and sleek thin LED strip design, this latest solar LED lighting addition to the GenLight family is a fit for almost any application indoors or out.

- Portable
- Indoor/Outdoor Rated
- Mounting Hardware for both
- Battery and LED Strip
- High Output Solar Panel with small foot print.
- Great for internal sign lighting, hallways, home décor, basements, any area with AC power far away.
- All Night Operation



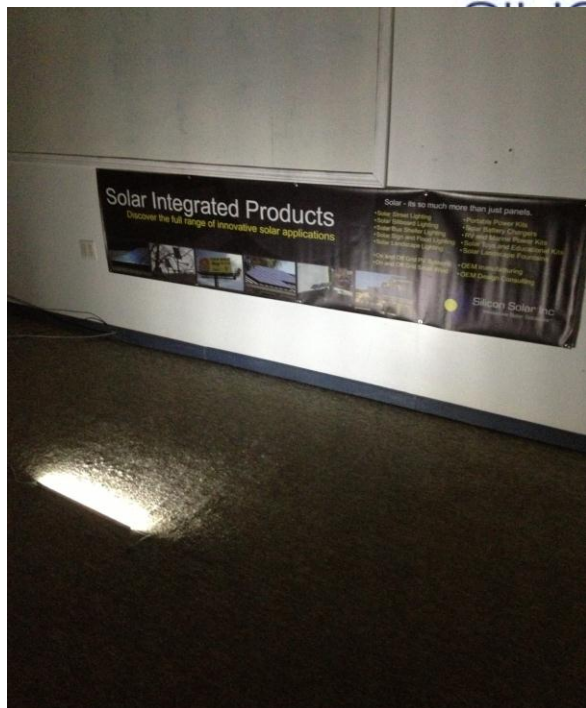
## Electrical Characteristics:

- **Solar Panel:**
  - 10W, Mono-crystalline
  - 17% efficiency
  - .55Amps
  - 18V
  - Weight: 11 lbs.
  - Dimensions: 11.2" x 21" x 1"
- **Battery:** SLA Battery
- **Switch Pin:** Push Button Switch
- **Battery Housing:** Durable ABS Plastic/Water Tight
- **LED Strip:**
  - Beam Pattern: 120 Deg
  - Current Draw per foot (351ma)
  - Led(s) per Segment: 15
  - Lumen (Max) 675 Lumen
  - Polarized: Yes
  - Suitable for Vehicles (Yes)
  - Operating Voltage: 12Vdc
  - Wattage Per Foot: 4.2W
  - Current Draw: 575mA
  - IP Rating: Waterproof IP67
  - LED Type: 5630 SMD
  - Life Time: 50000 Hours
  - Material: Aluminum Light Bar/Rigid Light Bar
  - Wire Extension Length: 7 inches (To add more in parallel)





SILICON SOLAR



## Installation Instructions:

### 1. Layout Components

- **Solar Panel (1)**
- **Battery Box (1)**
- **Mounting Brackets (stake and wall mounting)**
- **LED strip (1)**

### 2. Carefully locate location for solar panel to be installed

- a. Install solar panel securely
- b. Use PowerMount-SP-SA13 (optional)

### 3. Locate secure dry location for battery box to be mounted. Can be mounted indoor or outdoor. Recommended in dry location where water cannot surround for long periods

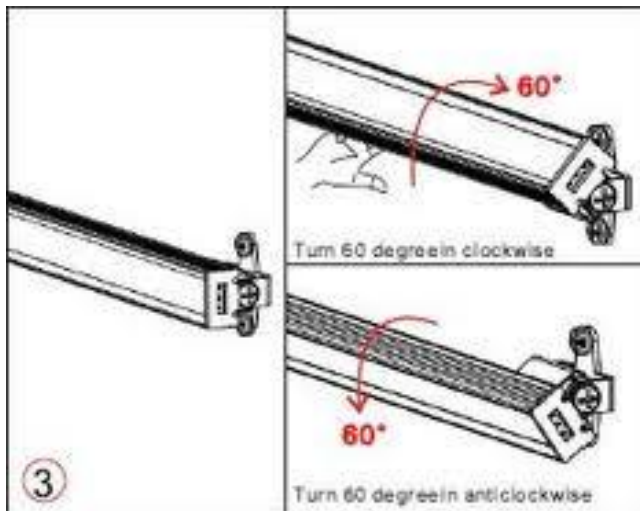
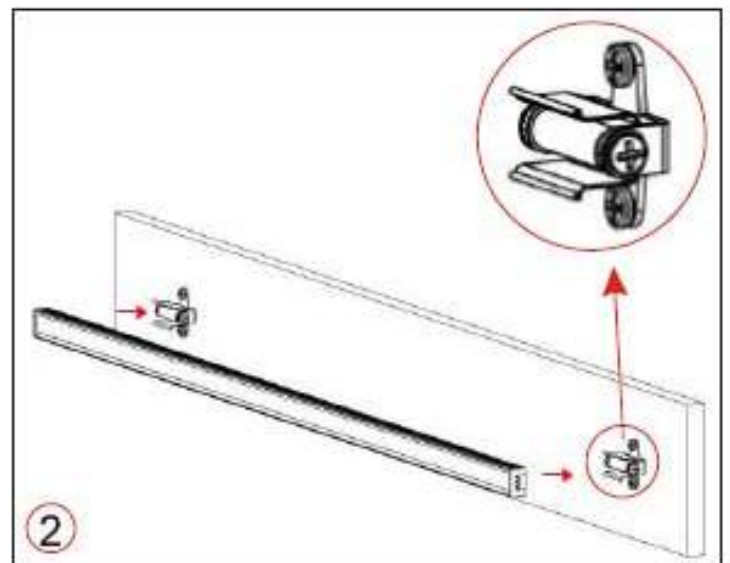
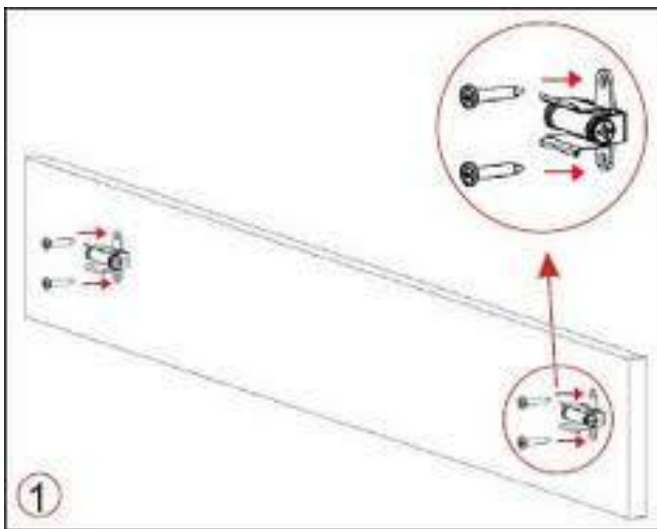
- a. Install Battery Box securely

### 4. Locate area where can install LED strip securely

- a. Install in area where can reflect lighting. (Indoor): Install on ridge facing ceiling, find white backing for best illumination
- b. Outdoor: Install no more than a few feet away from sign for proper illumination. If internal sign, place evenly across internal sign surface for

balance lighting

5. Plug in all components:
  - Solar Panel to Battery Box
  - Battery Box to LED Strip
6. Charging via solar panel:
  - a. charge in off position for 2-3 sunny days or trickle charge battery
7. Toggle Push Button Switch when wish to activate light
8. Enjoy Free Energy





### **Tips & Troubleshooting Instructions:**

1. Keep the device away from fire, water and moist places in order to avoid explosion, leakage, moisture;
2. Any severe shock to the system is not recommended;
3. No one except professional technicians should attempt to disassemble the charger in order to avoid damaging the charger.

### **Special Notes:**

1. Please fully charge the device before first use.
2. If there is no good sunlight in 3 months, the battery may be out of power, so you have to charge it by bright sunlight, when it's fully charged, you may turn on the device and lighting system, and otherwise, it can't work anymore.
3. If the light is blinking it means the power is very low. Charge in full sun, otherwise, the light will be unable to perform and battery will cut off power feed.
4. If there is no good sunlight or in winter sunlight, especial in Northern areas, it may take longer time to fully charge the device which is very normal for solar lighting products (see a technician about upgrading solar power).