



# Instruction Manual

## EnviroLight SX 100W Solar Street & Parking Lot Light



**Overview:**

Our EnviroLight SX solar street light which integrates the efficient solar panel, LED light and the Li-Fe battery into a single product. It operates with human intelligence induction system to become the solution of low-energy, durable, high-luminance and free maintenance.

**Purpose:**

For garden, residential area, courtyard, streets, walkways, parking lots, docks & piers, remote and rural area, etc. The high efficient solar panel absorb solar energy at day time, charge the battery which provide energy for the light at night.

**Components:**

- High efficient solar panel (Built-into the Fixture/Box)
- Li-Fe battery (Built-into the Fixture/Box)
- LED light (Built-into the Fixture/Box)
- MPPT controller (Built-into the Fixture/Box)
- Human intelligence induction system/motion sensor (Built-into the Fixture/Box)
- Bracket (For Mounting)

**How it works?**

The solar panel converts sunlight into electricity and stored in Li-Fe battery via controller, the LED light will work at night automatically under the light sensor control, and provide light for the different areas. And there are two modes for the light, they are full power mode and power saving mode.

When the motion sensor senses movement, it will operate in full power mode. It will operate in power saving mode when it does not senses any movement around.



**Data and Specification:**

Model		EnviroLight-SX-100W	
Specifications			
Light source		12W LED	
Solar panel		18W(Poly)	
Battery		12.8V 15AH	
Motion sensing		YES	
Dimension		20.3" X 12.6" X 2"	
Net weight		12.57 LBS	
Light efficiency			
Luminous	Full load working	1200 - 1320lm	
Flux	Less load working	440lm	
Visual angle		120°	
Color temperature		6000k-6500k (White)	
Work time	Full power	~10Hr	
	Saving mode	~20Hr	
Operating temperature			
Work temperature		-22 - 158 Degree Fahrenheit	
Recommended Placement Info.			
Recommended mounting height		Up to 13 ft	
Recommended Distance (Light to Light)		28ft – 35ft	

**Assembling and Installation:**

**Step 1:**

Open the box and prepare all the parts you need.



**Step 2:**

Connect the bracket with the light fixture/box with different accessories.



**Step 3:**

Mount the light fixture on the pole. You will not need the curved bracket when you mount it on a flat wall.



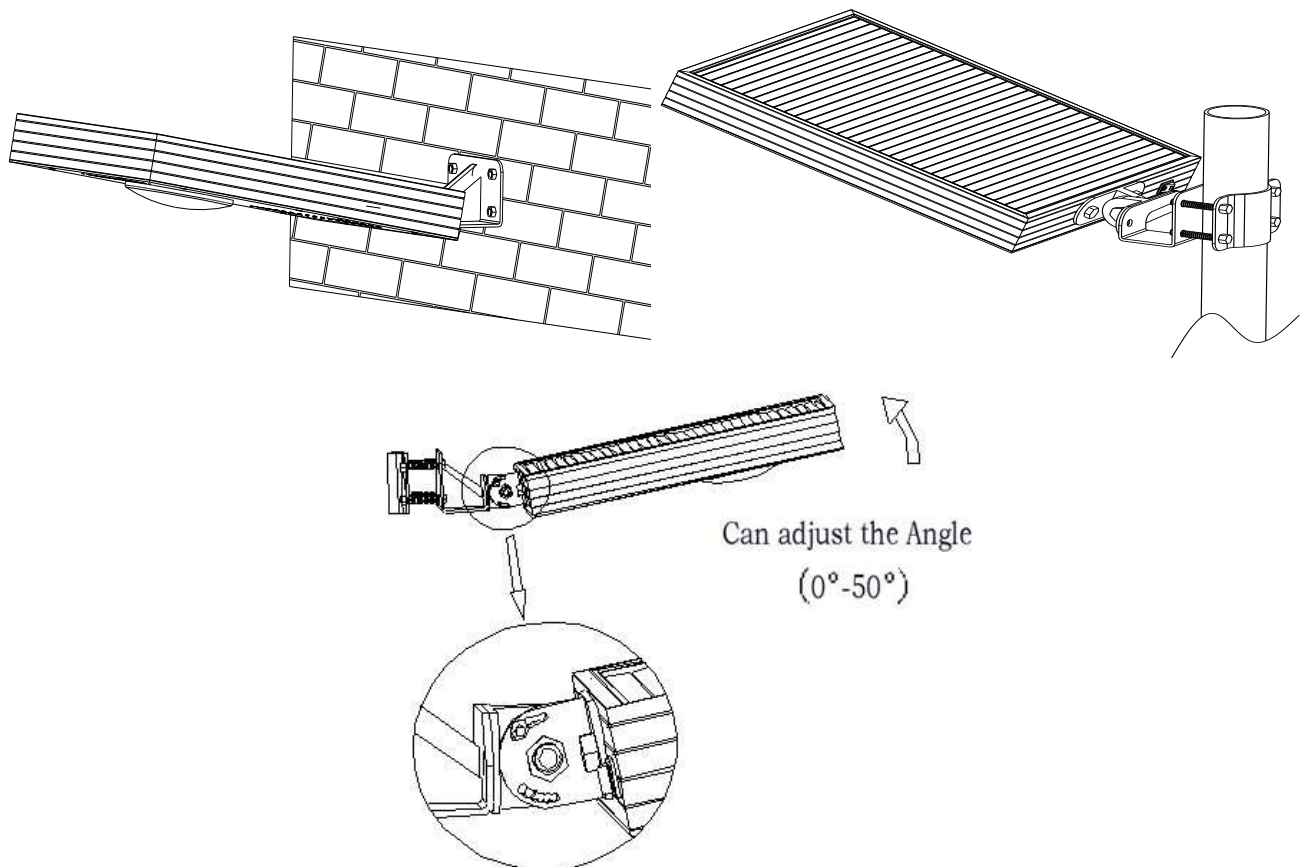
**Step 5:**

Turn on the switch. And this is how it looks when it is installed on a pole.



**Reminder:**

- EnviroLight SX solar street light adopts the long life Lithium battery for storing energy, charging temperature at day time is between: 32°F~140°F, when temperature goes lower than 32°C, the control system will stop automatically to protect the battery, and it will revive to charge the battery while temperature goes higher than 0°C. Discharging temperature at night is between: -4°F~+140°F, any ambient beyond will bring damage to the battery. Please confirm your local extreme temperature is suitable for above while selecting the street light.
- Battery of the light can be stored for 6 months long after full charged, and please examine, charge it periodically after long time transportation to prevent damage.
- Keep clearing the surface of the EnviroLight SX solar street light with normal detergent to get maximum power generation, clear the dust or tree leaves or any grease.
- While installing in Northern Hemisphere, please make sure the surface of the solar panel is facing the South to absorb maximum sunshine radiation. While installing in Southern Hemisphere, please make sure the surface of the solar panel is facing the North to absorb maximum sunshine radiation. At the same time, please keep it away from any shadow of house, trees etc. Meanwhile, you can adjust the angel between the lamp head and level (as follows), you'd better reconcile the lamp head with local latitude.





## Replacement Components

Replacement For

Battery

**SKU / Model**

EnviroLight-SX-100W-RBatt