

ENGINEERING SUBMITTAL SHEET

SOM 10 Solar Controller (MX Style)

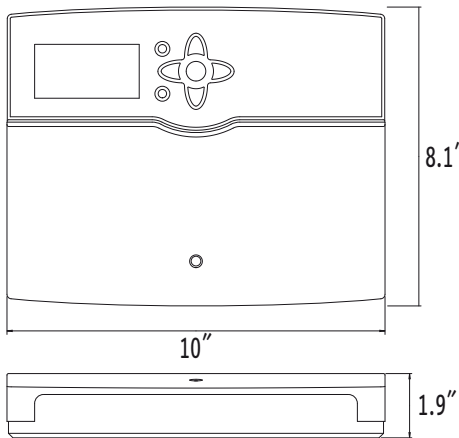
STIEBEL ELTRON
Simply the Best

Item No. 11599217

- » Multi-system controller
- » 16 sensor inputs
- » 14 power outputs
- » Large illuminated full graphic display
- » 2 year warranty
- » Compatible with SolarWave energy monitoring



Dimensions



Engineering Description

Housing: Plastic, PC-ABS and PMMA

Protection type: IP 20 / EN 60529

Ambient temperature: 32-104°F

Dimensions: 10" W x 8.1" H x 1.9" D

Installation: Wall mounting, also suitable for patch panels

Display: Full graphic display, control lamp and background illumination

Operation: 7 push buttons at the front of the housing

Functions: System controller for solar and heating systems. Functions such as: ΔT control, pump speed control, energy metering, operating hours counter for the solar pump, drainback option, heat dump function, function block option and many more

Sensor inputs: 12 Pt1000, Pt500 or KTY temperature sensor inputs, 3 inputs for flowmeters, inputs for 2 digital and 2 analog Grundfos Direct Sensors, 1 input for a CS10 irradiation sensor

Outputs: 13 semiconductor relays, 1 dry contact relay, 4 PWM outputs

Switching capacities:

Semiconductor relays: 1 Amp each @ 100-240V

Dry contact relay: 4 A @ 100-240V

Connections

