



SILICON SOLAR

INNOVATIVE SOLAR SOLUTIONS™

PowerMount Single Arm Side-Of-Pole Mounts

DURABILITY

Heavy-Duty, Corrosion-Resistant Aluminum

SIMPLICITY

Installs In Just Minutes, Not Technically Challenging

MADE IN THE USA

Engineered & Manufactured In Upstate NY

VERSATILITY

Fits Most Small / Medium Commercial Solar Panels



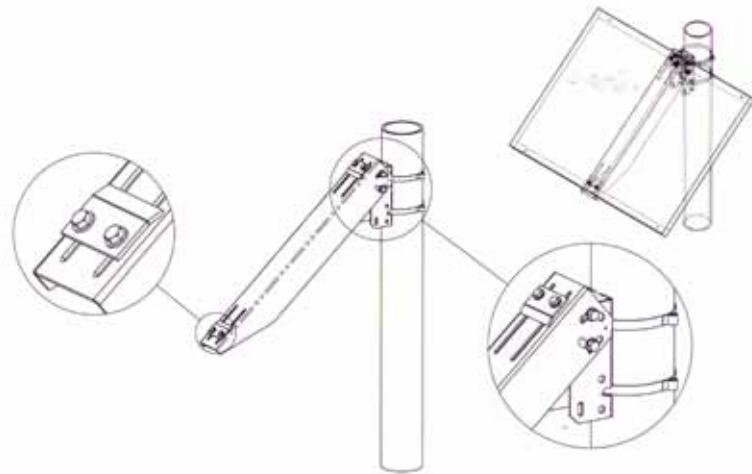


The PowerMount Single Arm Side Pole Mounts

Our PowerMount single arm side-of-pole solar panel mounting hardware is perfect for nearly all small and medium sized commercially available solar panels. These solar panel mounts are made in the USA, quick and hassle-free to install, requires little, to no, lifetime maintenance and can be used on poles, deck posts, trees and nearly any other structure you need to mount to.

Product Features

- Heavy-Duty Corrosion Resistant Aluminum
- Fast & Simple Installation And Maintenance
- For Many Popular Small & Medium Solar Panels
- Secure And Safe Panel Mounting Option
- Made In The USA



Product Specifications

	PowerMount-SP-SA13	PowerMount-SP-SA26
Panel Width (inner extrusion)	5" x 12.6"	15.6" x 26"
Pole Diameter	2" x 4.5"	2" x 4.5"
Arm Length	13"	26"
Material	Corrosion Resistant Aluminum	Corrosion Resistant Aluminum
Country of Origin	Made In The USA	Made In The USA
Typical Installation Time	< 30 Minutes	< 30 Minutes
Tilt Range	15 - 65 Degrees	15 - 65 Degrees
Weight (lbs)	5 lbs	10 lbs